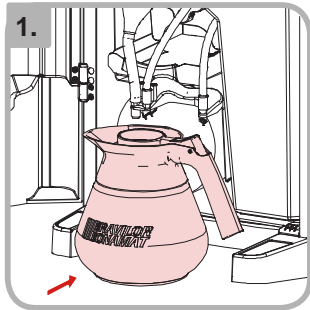
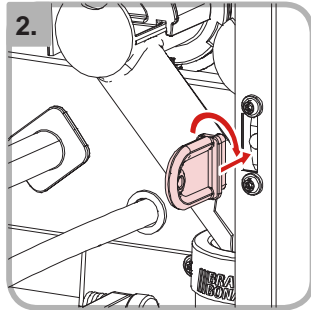


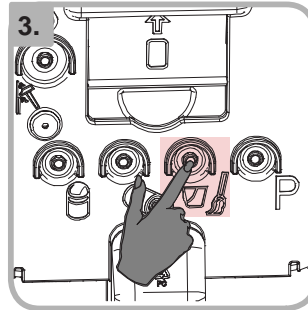
Three times a day*



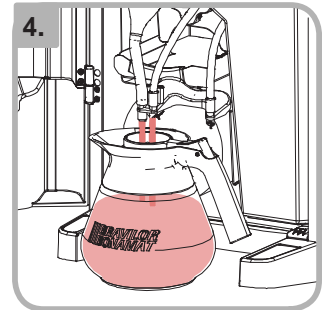
- Place empty jug.



- Insert the service key.

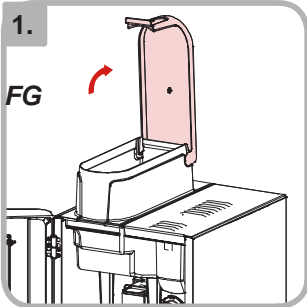


- Press the rinsing key.

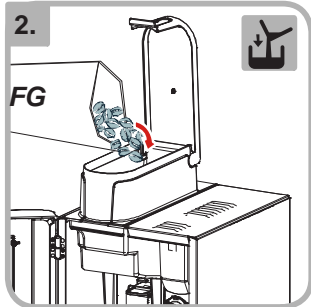


- Rinsingprogram is running.

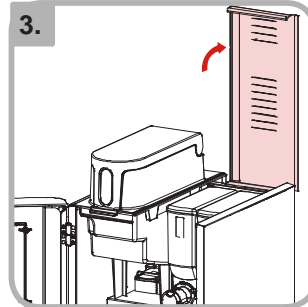
Daily



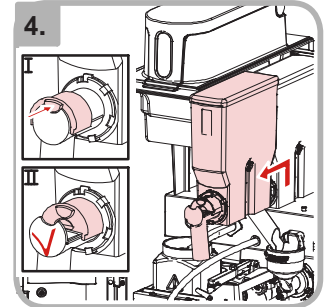
- Open door and cover.



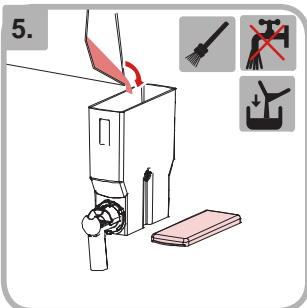
- Fill up with coffee beans.



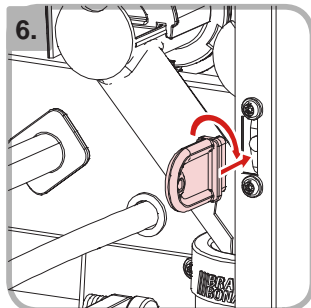
- Open door and cover.



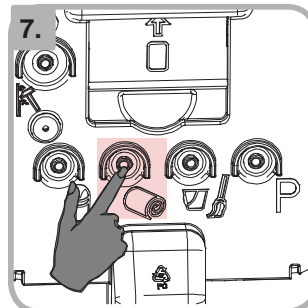
- Close the outlet and remove the canisters.



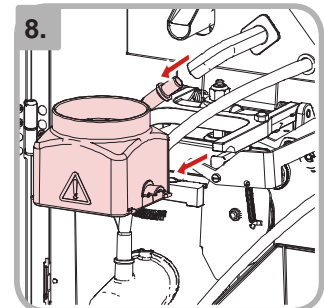
- Fill up with ingredients.



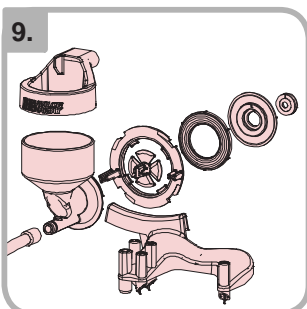
- Insert the service key.



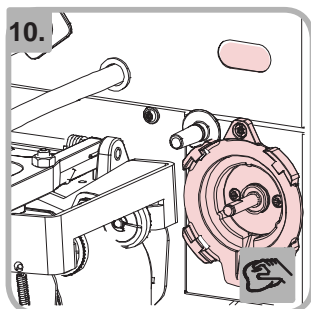
- Press the open/close brewer key.



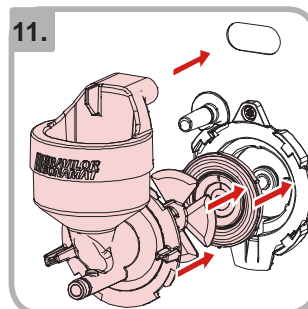
- Dismount and clean the brewer cup.



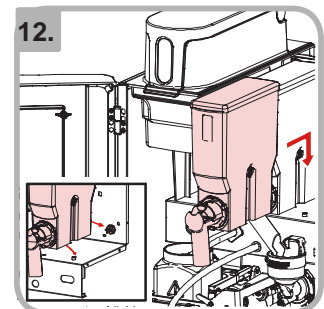
- Dismount and clean the mixing unit.



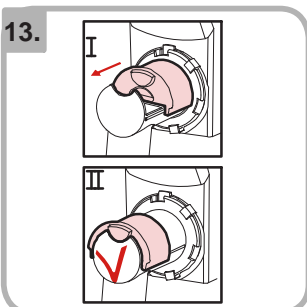
- Clean the shaft, plate and exhaust opening.



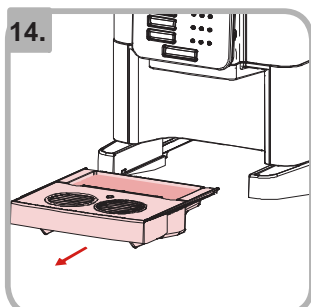
- Mount the mixing unit.



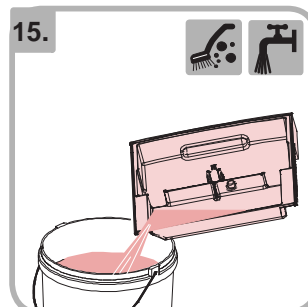
- Replace the canisters.



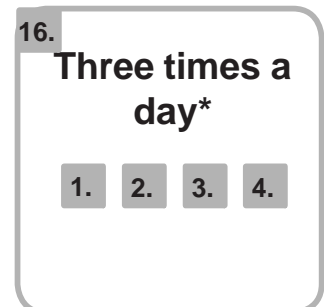
- Open the canister outlet.



- Remove drip-tray.



- Empty and clean the drip-tray.

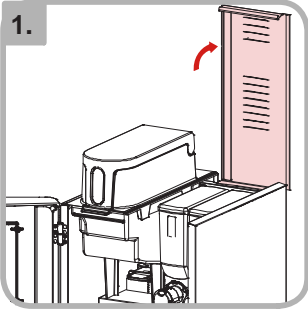


Three times a day*

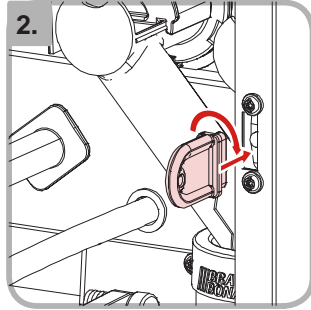
- 1.
- 2.
- 3.
- 4.

- Carry out the rinsingprogram.

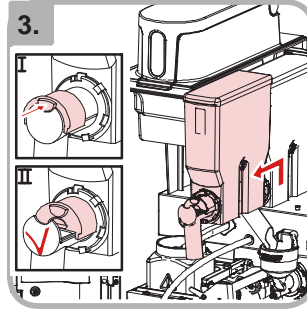
Weekly



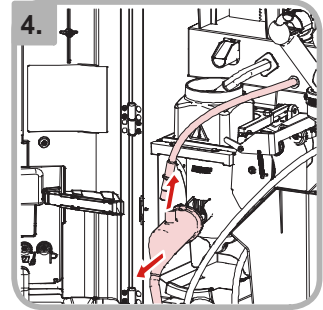
1. Open door and cover.



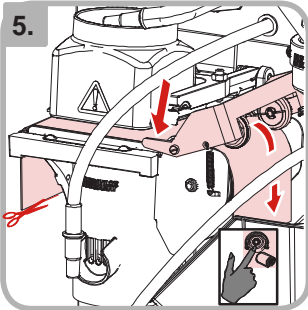
2. Insert the service key.



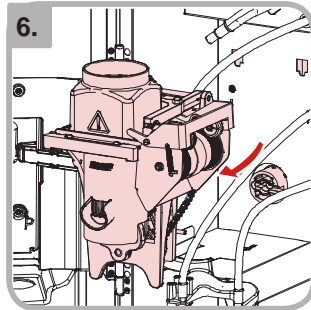
3. Close the outlet and remove the canisters.



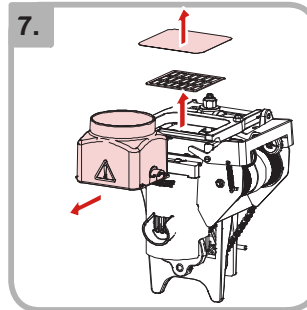
4. Detach the tubes.



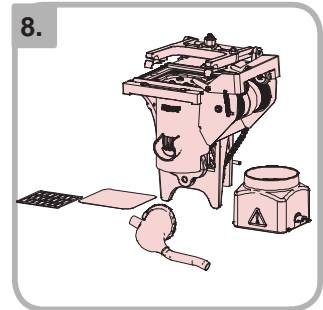
5. Cut and remove the filter paper (Press the open/close key).



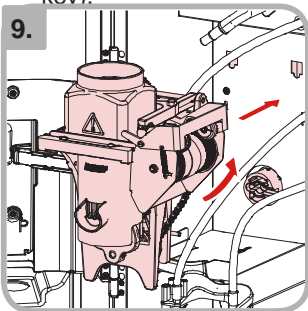
6. Remove the brewer.



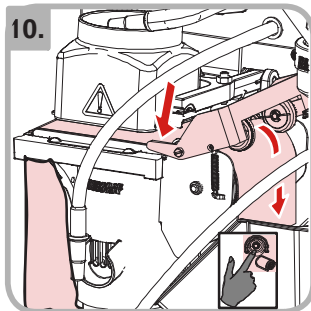
7. Dismount the brew chamber, filter screen and plate.



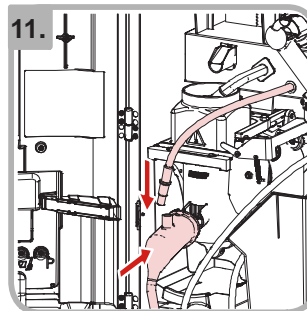
8. Clean all parts.



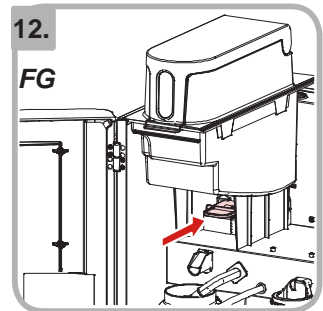
9. Mount the brewer.



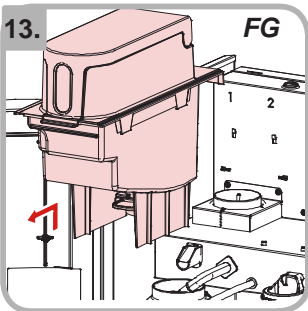
10. Replace the filter paper. (Press the open/close key).



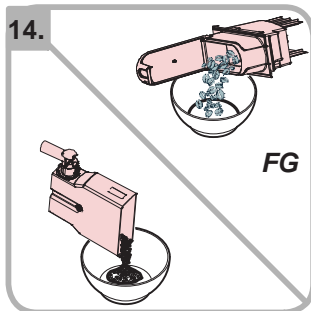
11. Mount the tubes.



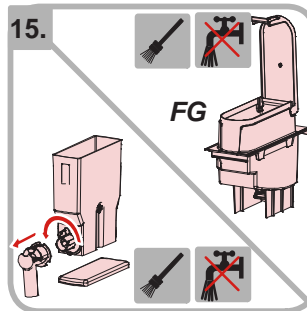
12. Close the outlet.



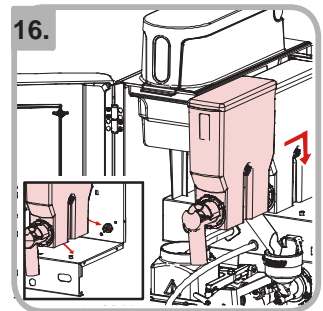
13. Remove the coffee canister.



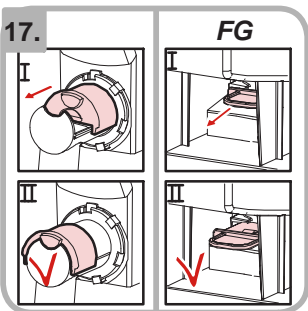
14. Empty canister.



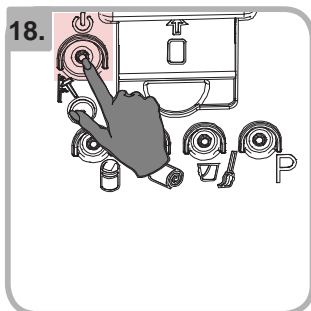
15. Clean canister.



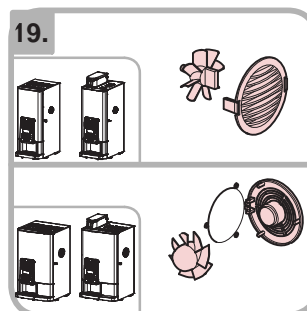
16. Fill and replace the canisters.



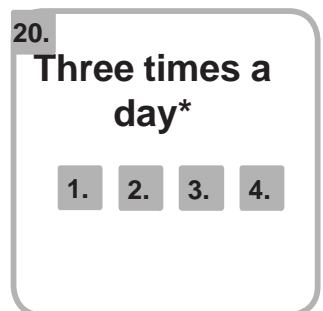
17. Open the outlets.



18. Switch off the machine.



19. Clean fan grille and fan blade.



20. Carry out the rinsing program.

Three times a day*

- 1.
- 2.
- 3.
- 4.